

# TC003 SERIES

LED TACT SWITCH



## Feature -

- small size
- bi-color LED illuminated available
- long life cycles
- right angle and vertical PCB terminal

## Applications -

- consumer products
- computer products
- instrumentation
- communication equipments

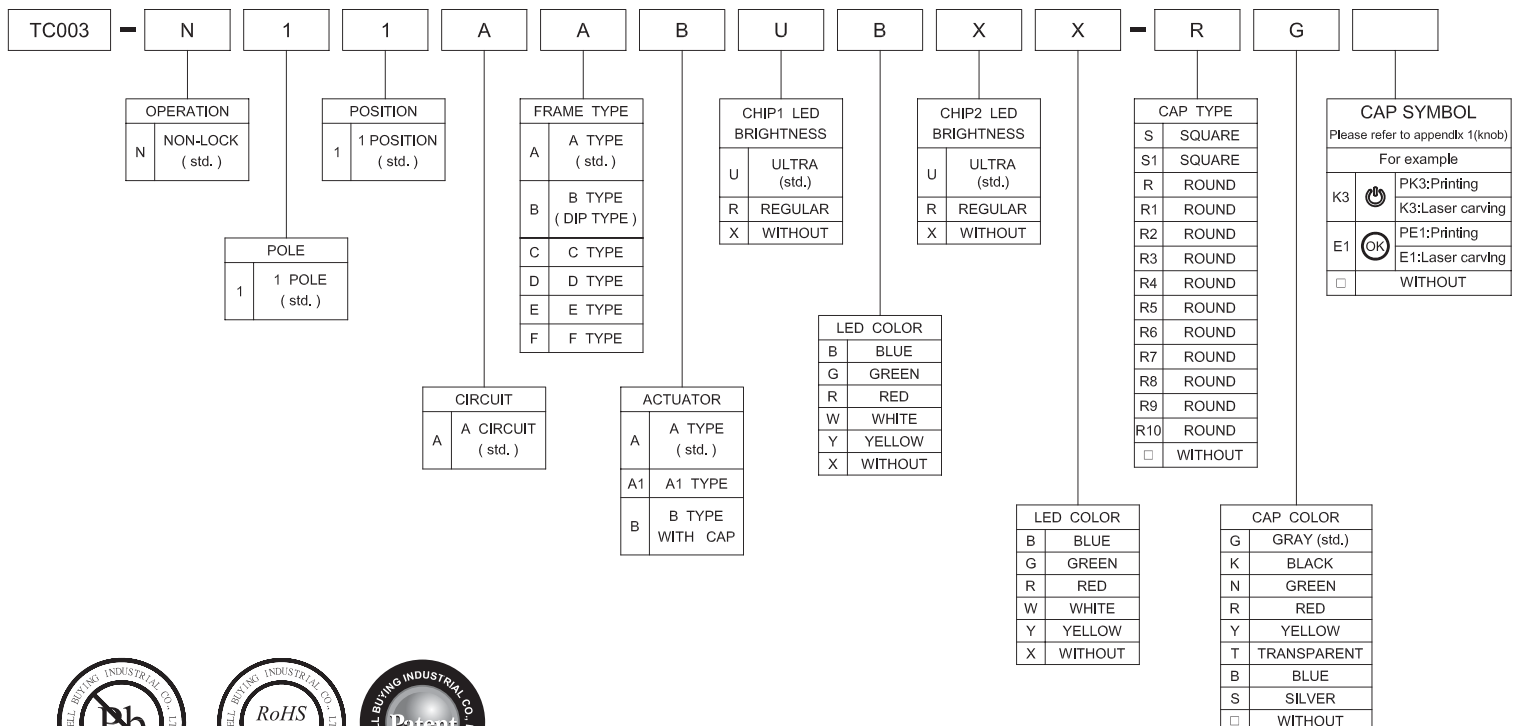
## ► SPECIFICATIONS

SWITCH SPECIFICATIONS	
POLE - POSITION	1P1T , Right Angle Push on Type , with or w/o LED are Available
CONTACT RATING	12 V DC , 50 mA
CONTACT RESISTANCE	100 mΩ MAX. 1.5 V DC ; 100 mA , by Method of Voltage DROP
INSULATION RESISTANCE	100 MΩ MIN. 500 V DC
DIELECTRIC STRENGTH	Breakdown is not Allowable ; 500 V AC for 1 Minute
OPERATING FORCE	160 ± 50 gf
OPERATING LIFE	500,000 cycles
OPERATING TEMPERATURE RANGE	-20°C ~ 70°C
TOTAL TRAVEL	0.2 ± 0.1 mm

LED SPECIFICATIONS		Unit	Value / LED Color				
			Blue	Green	Red	White	Yellow
ATTENTION LEDs are Electrostatic Sensitive devices	(+) ○ — ○ (-)						
FORWARD CURRENT	$I_f$	mA	10	20	20	2	20
REVERSE VOLTAGE	$V_r$	V	5.0	5.0	5.0	5.0	5.0
REVERSE CURRENT	$I_r$	μA	10	10	10	10	10
FORWARD VOLTAGE	$V_f$	V	@ 10mA 3.0-4.0	2.1-2.5	2.0-2.5	@ 2mA 2.8-4.0	2.0-2.5
LUMINOUS INTENSITY	$I_v$	mcd	@ 10mA 200	800	1800	@ 2mA 12	1800

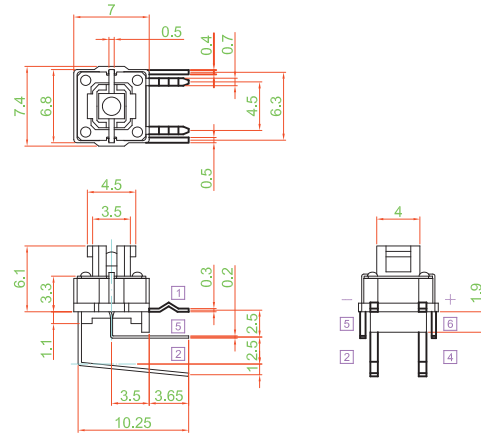
■ Physical and electrical information of LED will be provided upon customer's request on switches .

## ► HOW TO ORDER

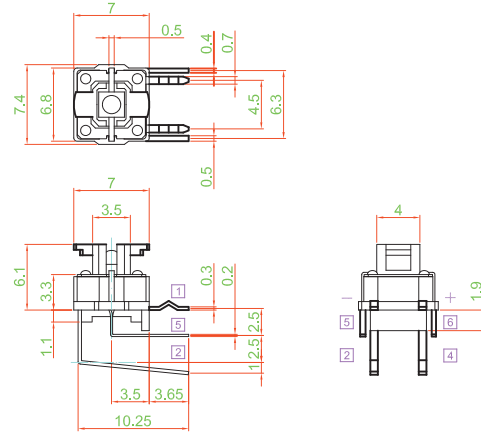
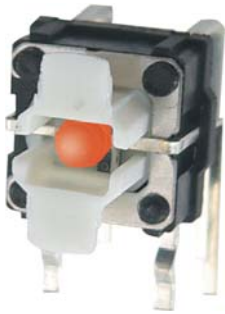


► DIMENSION

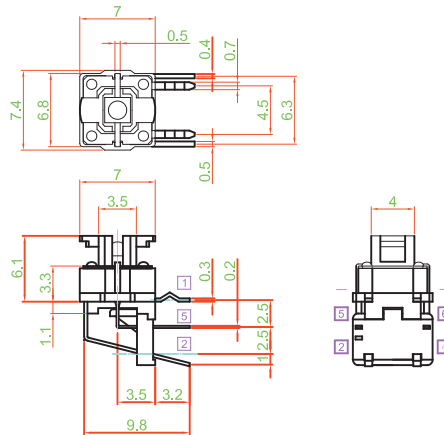
TC003-N11AAA □ □ □ □



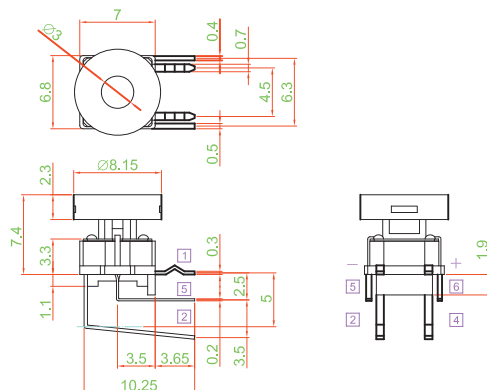
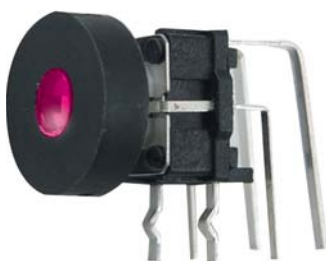
TC003-N11AAA1 □ □ □ □



TC003-N11ACA1 □ □ □ □



TC003-N11AAB □ □ □ □ - R □

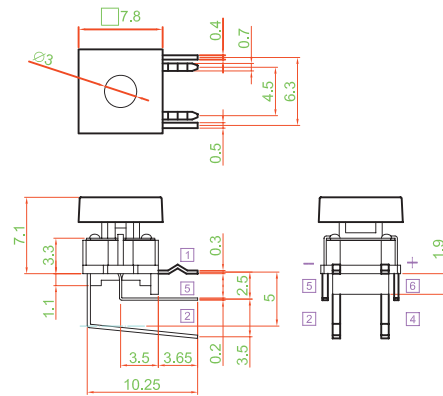


# TC003 SERIES

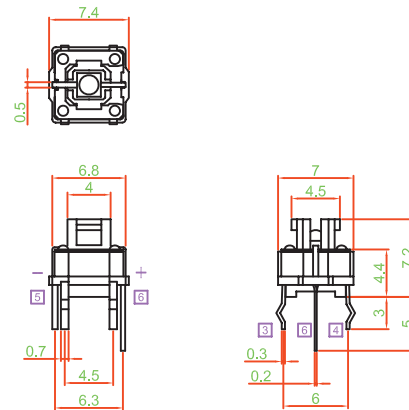
LED TACT SWITCH

## ► DIMENSION

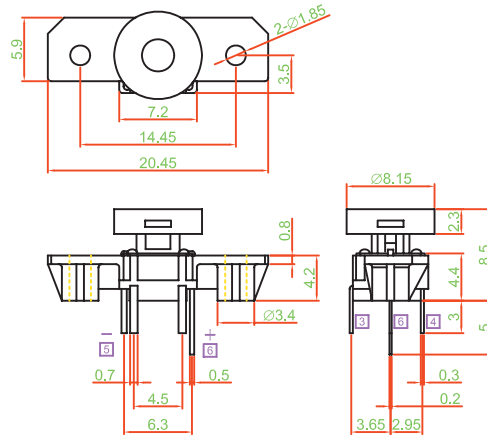
TC003-N11AAB □□□□ - S1 □



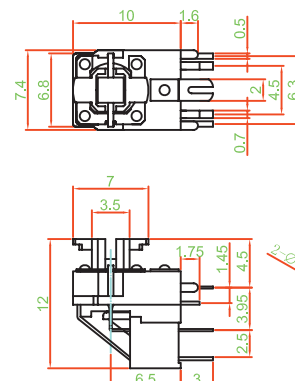
TC003-N11ABA □□□□



TC003-N11ADB □□□□ -R□



TC003-N11AEA1 □□□□



▶ DIMENSION		
TC003-N11AAB □□□□ - R1□		
TC003-N11AAB □□□□ - R2□		
TC003-N11AAB □□□□ - R3□		
TC003-N11AAB □□□□ - R4□		
TC003-N11AAB □□□□ - R5□		
TC003-N11AAB □□□□ - R6□		
TC003-N11AAB □□□□ - R7□		
TC003-N11AAB □□□□ - R8□		
TC003-N11AAB □□□□ - R9□		



