

# ALUMINUM ELECTROLYTIC CAPACITOR - GENERAL & MINIATURE

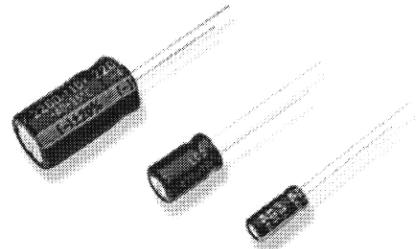
STANDARD, HEIGHT 5 & 7 MM, 1000 HRS SERIES

## TS13

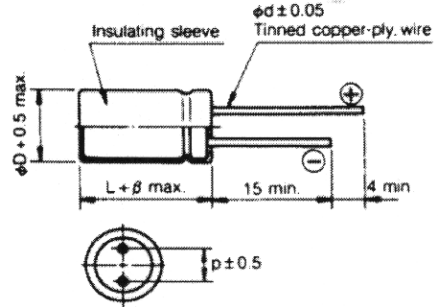
TSE11 Series - Standard Size

TSE07 Series - Mini Size 7 mm height

TSE05 Series - Super Mini Size 5 mm height



Item	Characteristics									
Operating temperature range	-40 ~ +85°C									
Leakage current max.	I=0.01CV or 4μA whichever is greater (after 1 minute)									
Capacitance tolerance	±20% at 120Hz, 20°C									
Dissipation factor max. (at 120Hz, 20°C)	MV	4	6.3	10	16	25	35,40	50	63	
	tanδ	0.36	0.24	0.20	0.16	0.14	0.12	0.10	0.10	



μF \ WV	4	6.3	10	16	25	35	50	63	100
0.1							5 x 11 4 x 7 3 x 5	5 x 11	5 x 11
0.22							5 x 11 4 x 7 3 x 5	5 x 11	5 x 11
0.33	Case size φD x L (mm) →						5 x 11 4 x 7 3 x 5	5 x 11	5 x 11
0.47							5 x 11 4 x 7 3 x 5	5 x 11	5 x 11
1.0							5 x 11 4 x 7 3 x 5	5 x 11	5 x 11
2.2						3 x 5	5 x 11 4 x 7 3 x 5	5 x 11	5 x 11
3.3					3 x 5	4 x 5	5 x 11 4 x 7 4 x 5	5 x 11	5 x 11
4.7				3 x 5	4 x 7 3 x 5	4 x 7 4 x 5	5 x 11 4 x 7 4 x 5	5 x 11	5 x 11
10		3 x 5	4 x 5	4 x 7 4 x 5	5 x 7 5 x 5	4 x 7 5 x 5	5 x 11 5 x 7 6.3 x 5	5 x 11	6.3 x 11
22	3 x 5	3 x 5	4 x 7 5 x 5	4 x 7 5 x 5	5 x 7 6.3 x 5	5 x 11 5 x 7 6.3 x 5	5 x 11 6.3 x 7	6.3 x 11	8 x 12
33	4 x 5	5 x 5	4 x 7 5 x 5	5 x 7 6.3 x 5	5 x 7 6.3 x 5	5 x 11 6.3 x 7	6.3 x 11	6.3 x 11	10 x 12.5
47	4 x 7 4 x 5	4 x 7 6.3 x 5	4 x 7 6.3 x 5	5 x 11 5 x 7 6.3 x 5	5 x 11 6.3 x 7	6.3 x 11	6.3 x 11	8 x 12	10 x 16
100	4 x 7 5 x 5	5 x 7	5 x 11 5 x 7	6.3 x 11 6.3 x 7	6.3 x 11	8 x 12	8 x 12	10 x 12.5	13 x 21
220	6.3 x 7 6.3 x 5	6.3 x 11 6.3 x 7	6.3 x 11 6.3 x 7	8 x 12	8 x 12	10 x 12.5	10 x 16	10 x 20	16 x 25