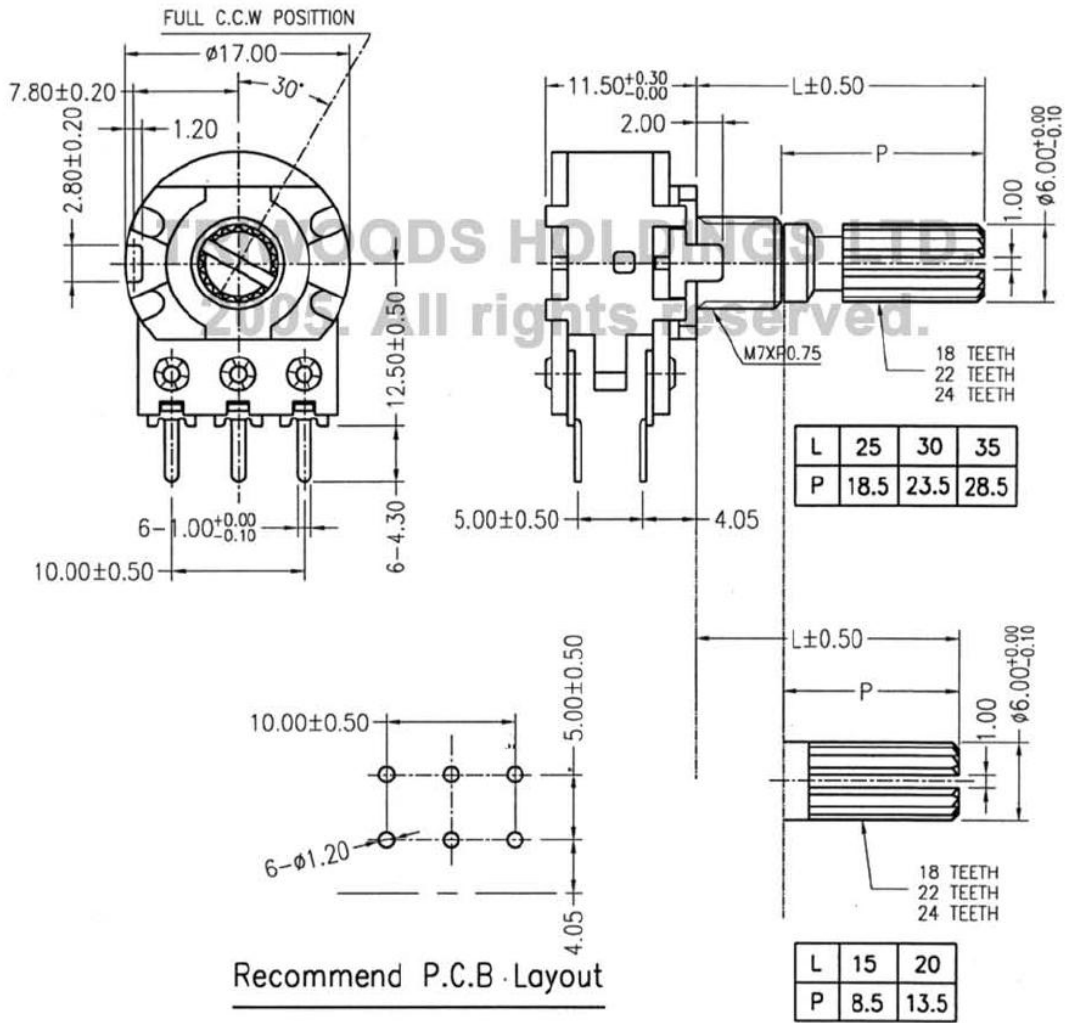


# APPEARANCE DRAWING



未注角度  $\pm 10^\circ$   
 未注公差 0-10mm  $\pm 0.3$ mm  
 未注公差 10-60mm  $\pm 0.5$ mm

**TP R-16KG**

DRAWING NO	REV	SHEET/OF
TEC-WI-E.WX-106	B1	1/1