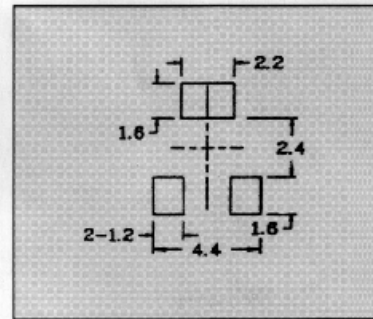
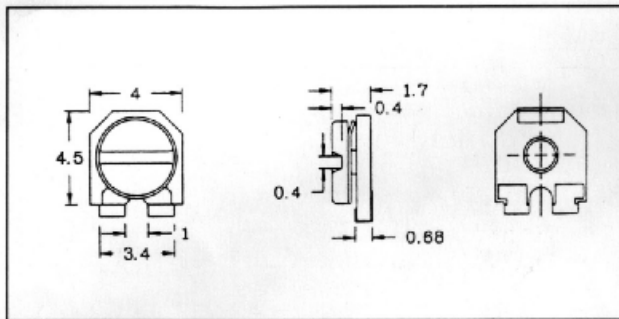
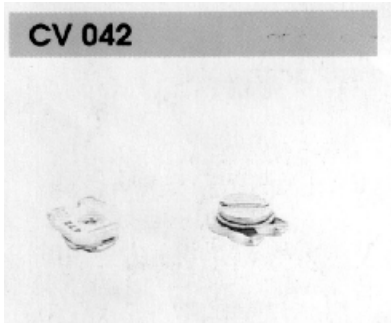


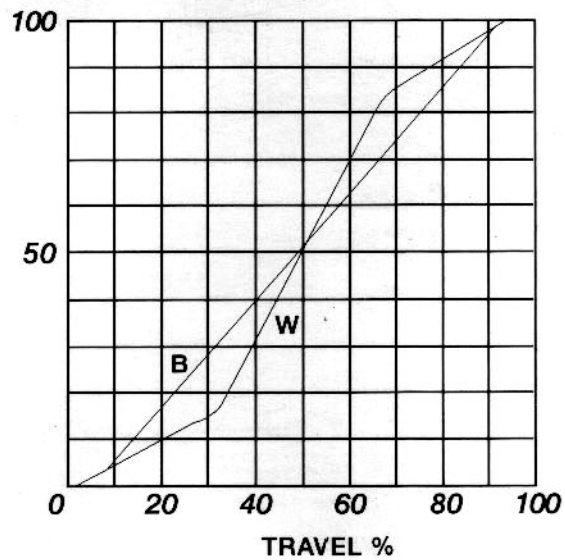
CV 042



OUTPUT VOLT ACROSS TERM 1 - 2  
INPUT VOLT ACROSS TERM 1 - 3

x 100%

TAPER B, W



# SPECIFICATION

## ELECTRICAL 電器特性

RESISTANCE RANGE 阻值範圍	100 $\Omega$ - 1M $\Omega$
RESISTANCE TOLERANCE 阻值誤差	$\pm$ 30%
RESISTANCE TAPER 電阻規律	B
POWER RATING 額定功率	0.1W (70 °C)
RESIDUAL RESISTANCE 殘留電阻	50 $\Omega$

## MECHANICAL 機械特性

ROTATIONAL ANGLE 旋轉角	260° $\pm$ 20°
ROTATIONAL TORQUE 旋轉力矩	50 - 350 gf. cm
STOP STRENGTH 止擋強度	0.3 Kgf
ROTATIONAL NOISE 轉動噪音	47 (Mv)

## ENVIRONMENTAL 使用環境

TEMPERATURE CHARACTERISTICS 溫度特性	$\pm$ 5% Max Resistance Change After 250 hrs at 100°C
HUMIDITY CHARACTERISTICS 濕度特性	$\pm$ 5% Max Resistance Change After 500hrs In 95% Rh at 40°C
SOLDERING TEMPERATURE 銲接溫度	$\pm$ 2% Max Resistance Change After 260°C 10 Sec Per Soldering Pat
T. C. R. 使用溫度係數	0 $\pm$ 250 PPM (-30°C - 100°C)

## DURABILITY 耐用性

ROTATIONAL LIFE 旋轉壽命	100 Cycles
----------------------	------------