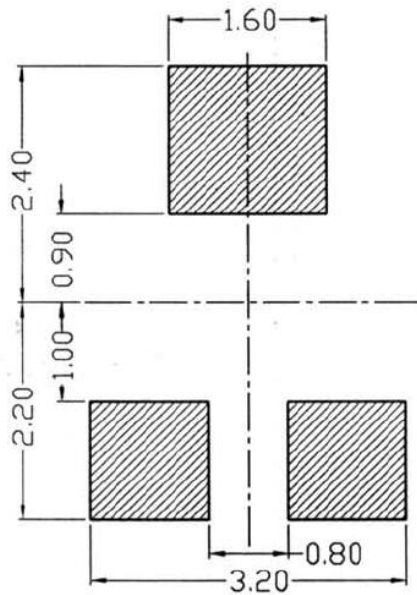
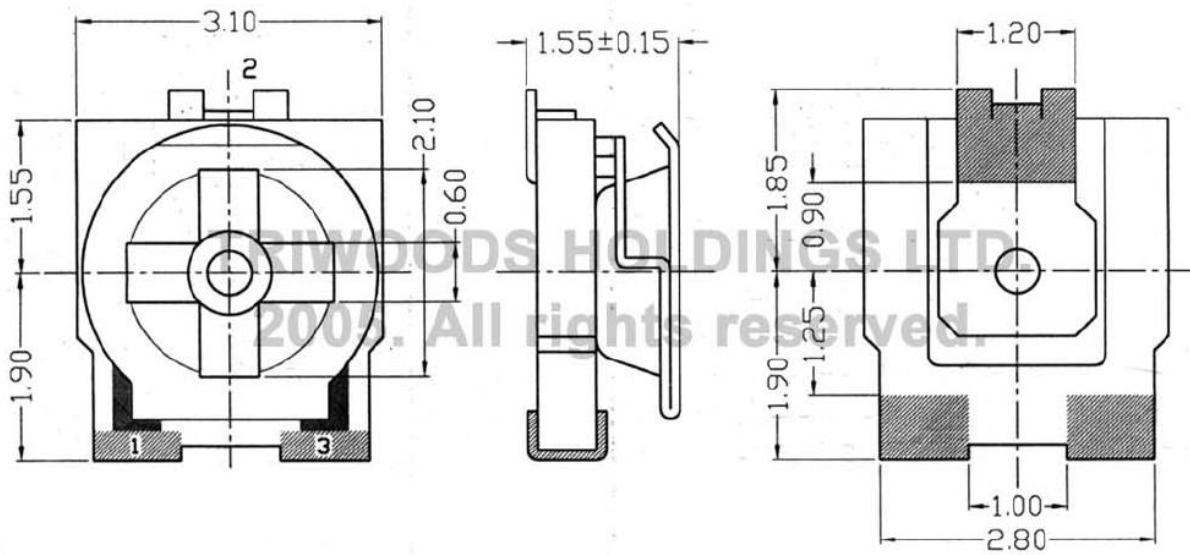
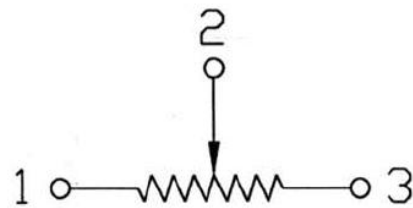


# APPEARANCE DRAWING



RECOMMEND LAND LAYOUT



CIRCUIT

未注角度	±10°
未注公差	0-10mm ±0.3mm
未注公差	10-60mm ±0.5mm

*TP EVM2ES*

DRAWING NO	REV	SHEET/OF
TEC-WI-E.WX-385	A1	