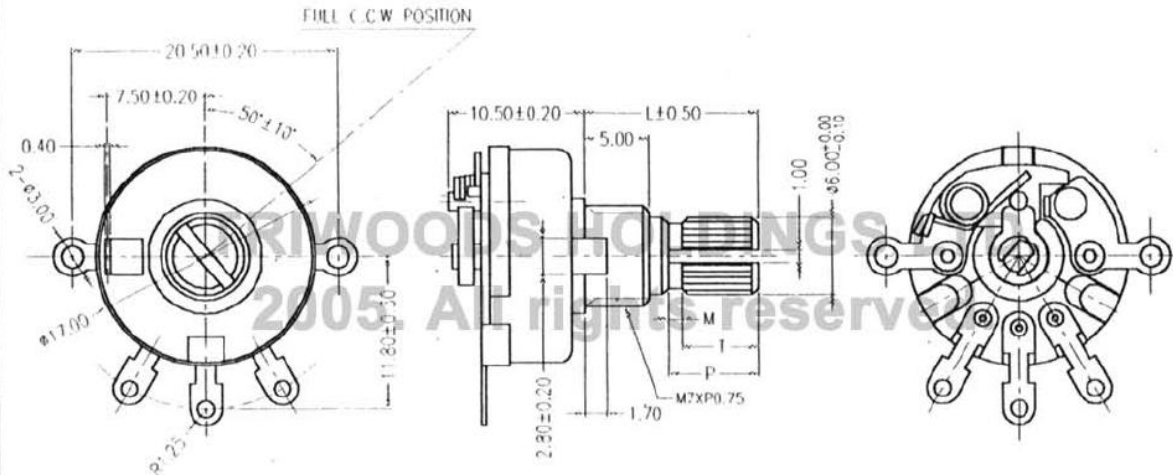


# APPEARANCE

# DRAWING



L	15.00	20.00	25.00	30.00	35.00
M	1.00	2.00	2.00	4.00	4.00
T	6.00	10.00	12.00	12.00	12.00
P	7.00	12.00	14.00	14.00	14.00

**TP R-17S**

DRAWING NO	REV	SHEET/OF
WX-168	B	