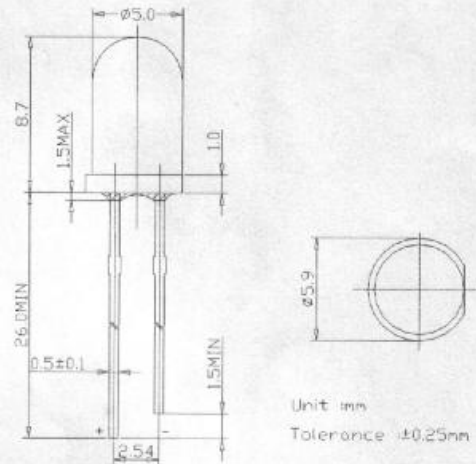


**■ Features**

- High Power LEDs
- 5mm Standard Directivity
- Superior Weather-resistance
- UV Resistant Epoxy

**■ Applications**

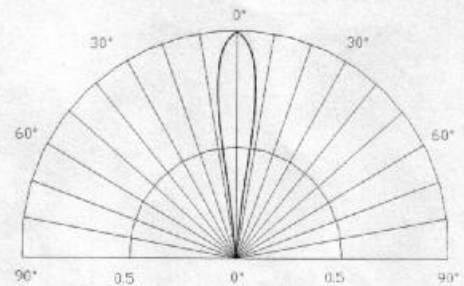
- Electronic Signs and Signals
- Illuminations
- Back Lighting

**■ Outline Dimension**

**■ Absolute Maximum Rating**

(Ta=25°C)

Item	Symbol	Value	Unit
DC Forward Current	$I_F$	25	mA
Pulse Forward Current*	$I_{FP}$	100	mA
Reverse Voltage	$V_R$	5	V
Power Dissipation	$P_D$	120	mW
Operating Temperature	$T_{opr}$	-20 ~ +75	°C
Storage Temperature	$T_{stg}$	-30 ~ +80	°C
Lead Soldering Temperature	$T_{sol}$	260°C/3sec	-

\*Pulse width Max.10ms Duty ratio max 1/10

**■ Directivity**

**■ Electrical -Optical Characteristics**

(Ta=25°C)

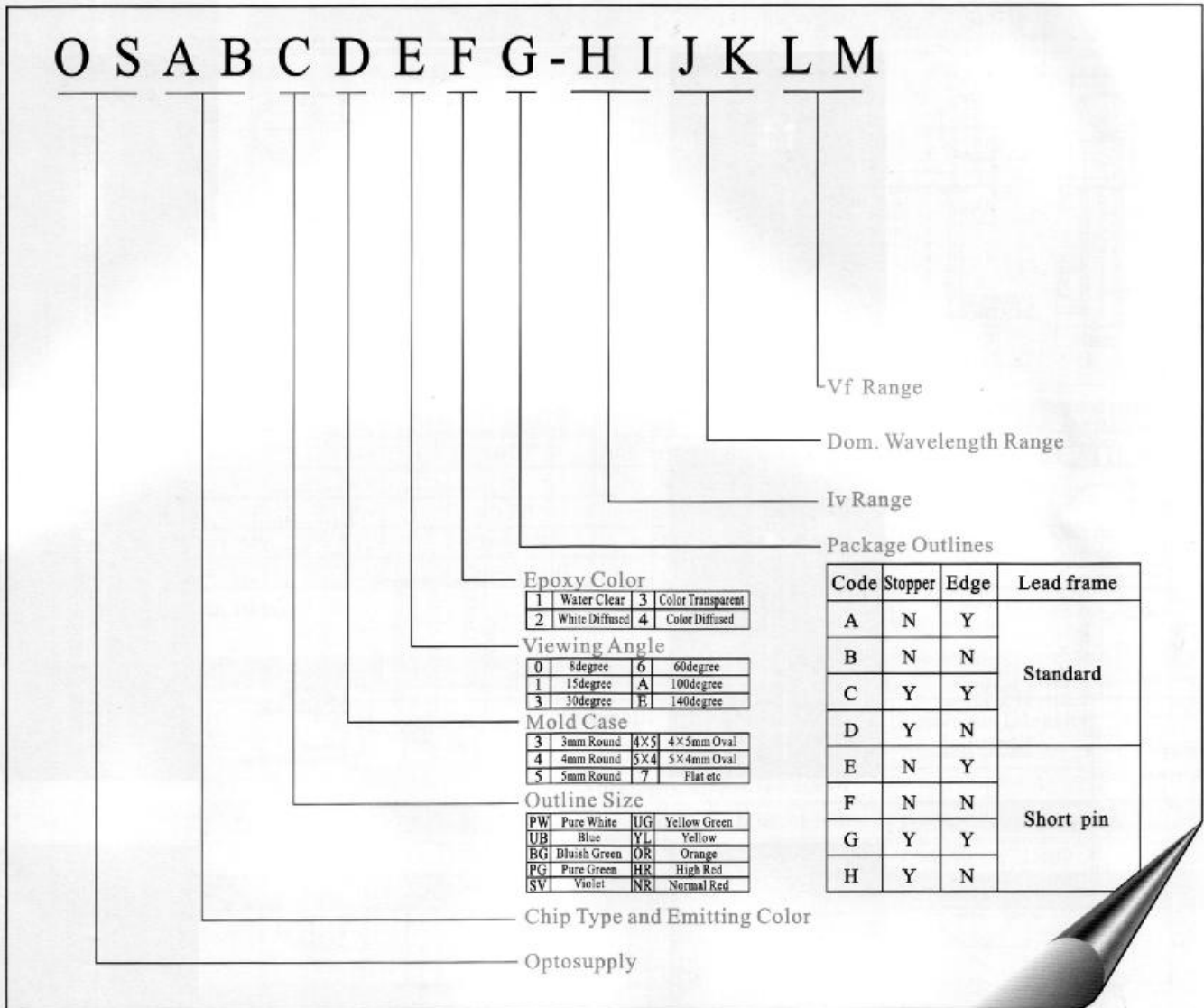
Item	Symbol	Condition	Min.	Typ.	Max.	Unit
DC Forward Voltage	$V_F$	$I_F=20mA$	-	3.6	4.2	V
DC Reverse Current	$I_R$	$V_R=5V$	-	-	100	$\mu A$
Luminous Intensity	$I_v$	$I_F=20mA$	-	5000	-	med
Chromaticity Coordinate*	x	$I_F=20mA$	-	0.31	-	-
	y	$I_F=20mA$	-	0.32	-	-
50% Power Angle	$2\theta_{1/2}$	$I_F=20mA$	-	15	-	deg

\*Please refer to CIE 1931 chromaticity diagram.

# LED



## Part Number Formation:



### Intensity Standard

BIN	Range(mcd)	BIN	Range(mcd)
B	20-30	N	2180-3000
C	30-45	O	3000-4200
D	45-68	P	4200-5800
E	68-100	Q	5800-7000
F	100-150	R	7000-8400
G	150-220	S	8400-10000
H	220-330	T	10000-12000
I	330-500	U	12000-14400
J	500-750	V	14400-18000
K	750-1120	W	18000-22000
L	1120-1560	Y	22000-25000
M	1560-2180	Z	25000-30000

### Forward Voltage

BIN	Range(V)	BIN	Range(V)
1	-1.6	A	3.2-3.4
2	1.6-1.8	B	3.4-3.6
3	1.8-2.0	C	3.6-3.8
4	2.0-2.2	D	3.8-4.0
5	2.2-2.4	E	4.0-4.2
6	2.4-2.6	F	4.2-4.4
7	2.6-2.8	G	4.4-4.6
8	2.8-3.0	H	4.6-4.8
9	3.0-3.2	I	4.8-5.0