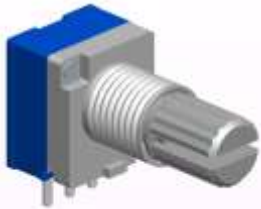


9mm Metal Shaft Rotary Potentiometer

RK0971



Part Number

RK0971- B 50K , L- 20 KC / N=5

Taper

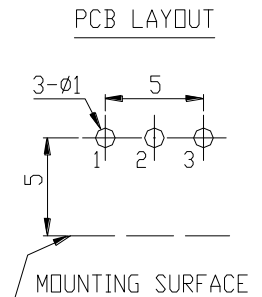
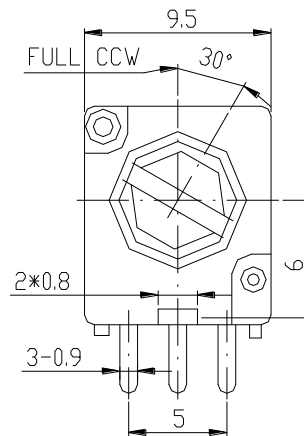
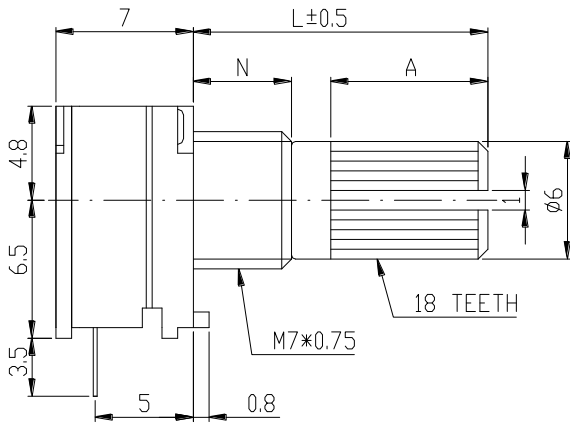
Shaft Length

Bush Length

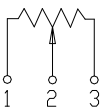
Resistance value

Shaft Type

Dimensions

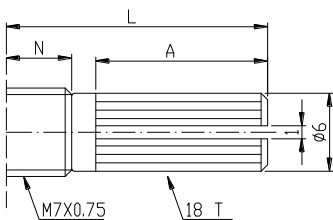


CIRCUIT



Shaft Type

KC Type



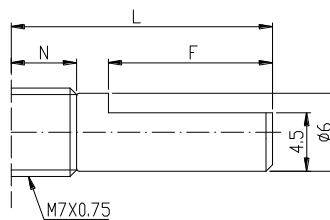
N=5mm

L	10KC	12.5KC	15KC	20KC
A	4	7	7	12

N=7mm

L	15KC	20KC	25KC
A	7	12	12

F Type



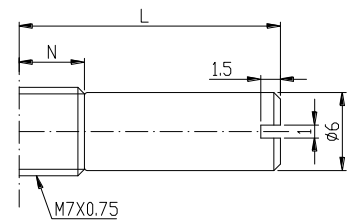
N=5mm

L	15F	20F
F	7	12

N=7mm

L	15F	20F	25F
F	7	12	12

RE Type



N=5mm

L	8RE	10RE	15RE
---	-----	------	------

N=7mm

L	15RE
---	------

9mm Metal Shaft Rotary Potentiometer

General

Operating temperature	-10 °C ~ +70 °C
Manual soldering	300 °C Max 3sec

Electrical Characteristics

Total resistance	1K Ω ~ 500K Ω
Resistance tolerance	$\pm 20\%$ (More Than 1M Ω $\pm 30\%$)
Resistance taper	A B C W
Sliding noise	Less than 68 mV
Residual resistance	$\leq 20 \Omega$
Insulation resistance	More than 100M Ω at DC 250V
Rated power(W)	0.05W
Max. Operating voltage	50V AC
Withstand voltage	1 Minute at AC 300 V

Mechanical Characteristics

Total rotational angle	300° \pm 5°
Rotational torque	20 ~ 250 gf.cm
Switch action	400 gf.cm
Rotational stopper strength	4Kgf.cm Min
Shaft push-pull strength	10Kgf. Max