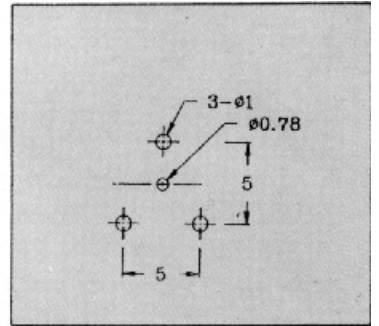
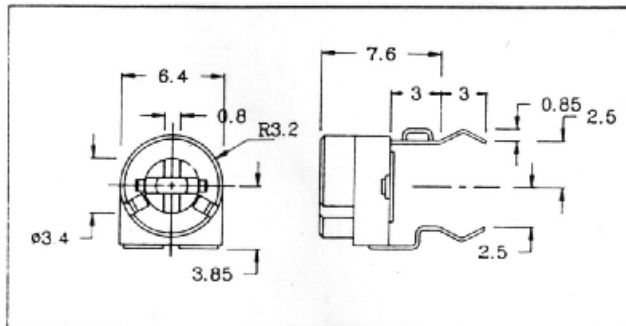


# SF 065



## SPECIFICATION 特性

| MODEL                      | ROTATIONAL ANGLE<br>旋轉角 | ROTATIONAL TORQUE<br>旋轉力矩 | RESISTANCE RANGE<br>阻值範圍                       | POWER RATING<br>額定功率 | OPERATING VOLTAGE<br>最高工作電壓 |
|----------------------------|-------------------------|---------------------------|--|----------------------|-----------------------------|
| SF 063                     | 200 ± 15°               | 20 - 350 gf.cm            | 100Ω - 1MΩ                                     | 0.1W                 | 50V                         |
| SF 065                     | 200 ± 15°               | 20 - 350 gf.cm            | 100Ω - 1MΩ                                     | 0.1W                 | 50V                         |
| SF 083                     | 260 ± 15°               | 30 - 350 gf.cm            | 100Ω - 1MΩ                                     | 0.1W                 | 100V                        |
| SF 085                     | 260 ± 15°               | 30 - 350 gf.cm            | 100Ω - 1MΩ                                     | 0.1W                 | 100V                        |
| SF 114                     | 250 ± 20°               | 30 - 350 gf.cm            | 100Ω - 1MΩ                                     | 0.1W                 | 100V                        |
| SF 114S                    | 250 ± 20°               | 30 - 350 gf.cm            | 100Ω - 1MΩ                                     | 0.1W                 | 100V                        |
| SF 115                     | 250 ± 20°               | 30 - 350 gf.cm            | 100Ω - 1MΩ                                     | 0.1W                 | 100V                        |
| SF 115S                    | 250 ± 20°               | 30 - 350 gf.cm            | 100Ω - 1MΩ                                     | 0.1W                 | 100V                        |
| SF 115R                    | 250 ± 20°               | 30 - 350 gf.cm            | 100Ω - 1MΩ                                     | 0.1W                 | 100V                        |
| SF 153                     | 230 ± 20°               | 30 - 350 gf.cm            | 100Ω - 1MΩ                                     | 0.25W                | 250V                        |
| SF 158                     | 230 ± 20°               | 30 - 350 gf.cm            | 100Ω - 1MΩ                                     | 0.25W                | 250V                        |
| RESISTANCE TOLERANCE 阻值誤差  |                         |                           | : ± 30%  |                      |                             |
| RESISTANCE TAPER 電阻規律      |                         |                           | : B (Linear)                                   |                      |                             |
| RESIDUAL RESISTANCE 殘留電阻   |                         |                           | : 50 Ω   |                      |                             |
| STOP STRENGTH 止擋強度         |                         |                           | : 0.5 kg.cm                                    |                      |                             |
| TEMP. CHARACTERISTICS 濕度特性 |                         |                           | : + 5 - 30% Max of Normal Value at 5 Hrs, 70°C |                      |                             |
| ROTATIONAL NOISE 轉動噪音      |                         |                           | : 47 MV  |                      |                             |
| ROTATIONAL LIFE 旋轉壽命       |                         |                           | : 100 Cycles                                   |                      |                             |